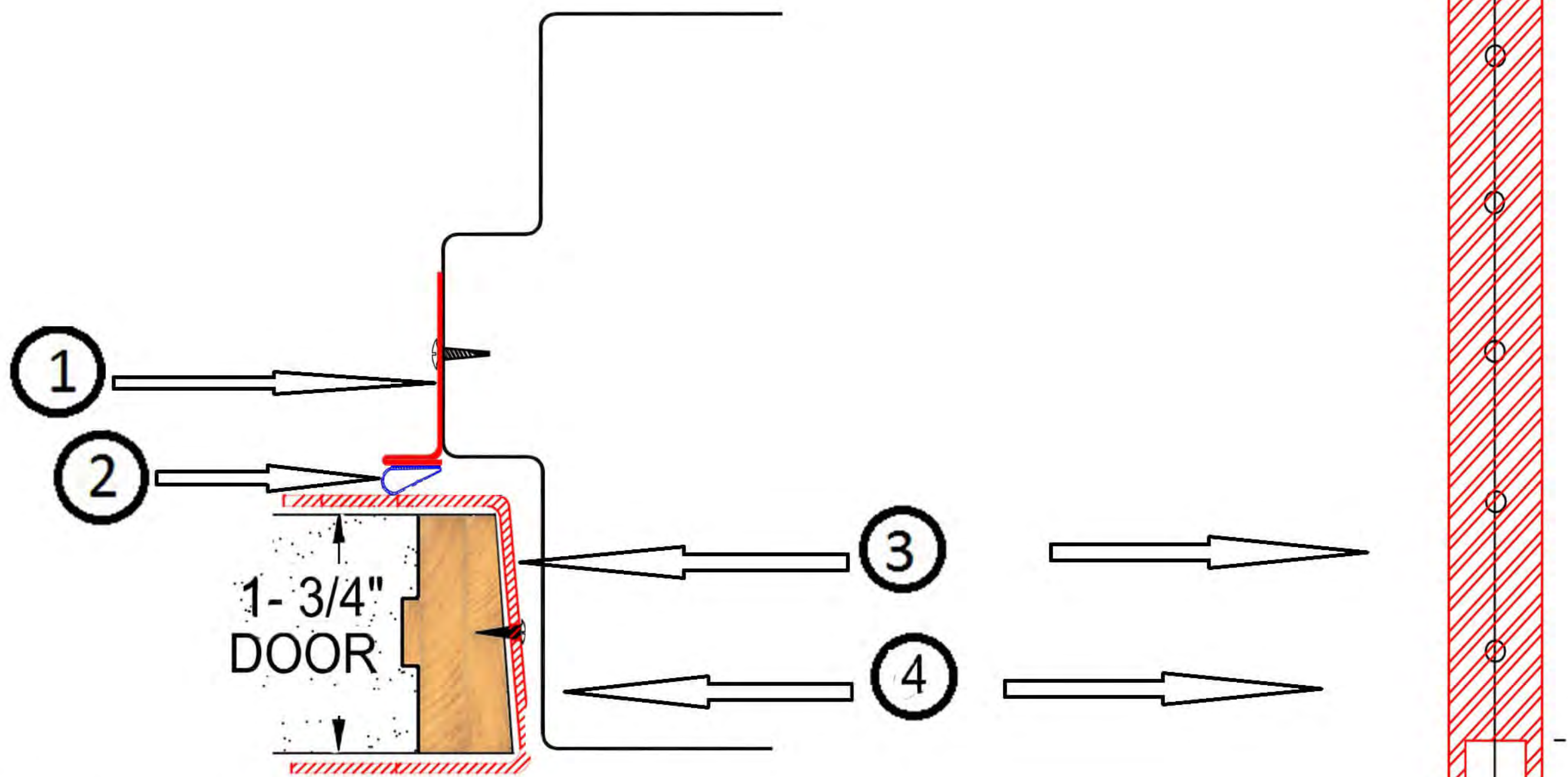




Vertical Edge Protector System for Wood Doors



- ①- The Crown Fire Door Stop for Wood Doors
- ②- Two Pieces of Intumescent Smoke Seal
- ③- The Crown Steel Vertical Edge Protector
- ④- **Up to 3/8 Inch Clearance**

- UL listed for excessive clearances and gaps
- UL tested and listed to allow for excessive clearances up to 3/8" on wood doors
- UL fire-rated for up to 90 minutes
- Does not increase or decrease your fire door assembly's existing fire rating
- Tested under NFPA-252 with hose stream, ANSI/UL 10B with hose stream, UL 10C, CAN/ULC S104-10
- All components work together as a system, and must be installed as per manufacturer's instructions
- Use with the Crown Latch Protector if latch engagement is an issue

Crown Fire Door Products, Inc.
Sanford, Maine, USA.

www.crownfiredoorproducts.com/

US Patent Nos. 9,151,106 & 9,518,422
Canadian Patent Nos. 2,846,726 & 2,939,255



R27658
MISCELLANEOUS FIRE
DOOR ACCESSORY